



see what Delta can do™

SHOWER HEAD

■ 3-Spray Setting Shower Head

FEATURES:

- Touch-Clean® Spray Holes

STANDARD SPECIFICATIONS:

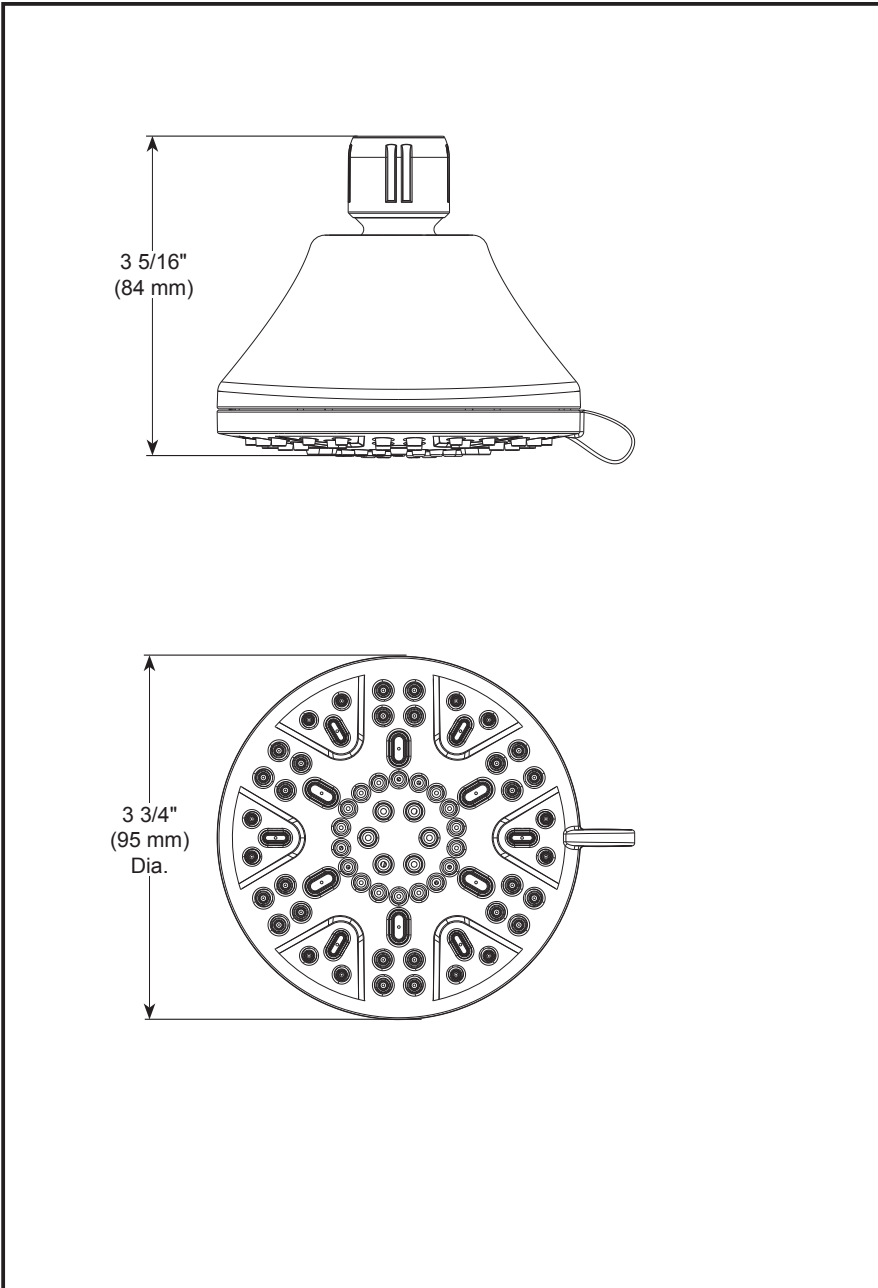
- Max. flow rate 2.5 gpm @ 80 psi, 9.5 L/min @ 550 kPa
- Fits standard 1/2"-14 NPT pipe fitting
- Easy-turn spray dial
- 3 Spray settings include: Full Spray, Massage, Shampoo Rinse Spray.
- Ball connector swivel angle is 32° (16° per side)

WARRANTY:

- Parts and Finish – Lifetime limited warranty; or for commercial purchasers, 10 years for multi-family residential (apartments and condominiums) and 5 years for all other commercial uses, in each case from the date the product is received by the original purchaser or their authorized representative (installation contractor, etc.).
- Please go to www.deltafaucet.com for the complete details of our limited warranty.

COMPLIES WITH:

- ASME A112.18.1 / CSA B125.1



Delta Faucet Company reserves the right (1) to make changes in specifications and materials, and (2) to change or discontinue models, both without notice or obligation. Dimensions are for reference only. See current full-line price book or www.deltafaucet.com for finish options and product availability.

DSP-B-75302D-2 Rev. A

Delta Faucet Company

55 E. 111th Street, Carmel, IN 46280
350 South Edgeware Road, St. Thomas, ON N5P 4L1
© 2025 Delta Faucet Company